

TS 71

Door closer



The inexpensive solution for standard doors

The TS 71 door closer developed by dormakaba is the perfect addition to the ClassicLine series. Its simple and fast installation along with its competitive price make it an attractive option. The closing force can be adjusted to the individual door size by turning the hinge.

The production plant is ISO 9001 certified.

Advantages

For trade

- Flexible stock keeping thanks to the uniform rods of the ClassicLine series.
- ClassicLine series supplemented by an inexpensive version for standard doors.

For fitters

- Suitable for DIN-L as well as DIN-R doors.
- Quick and easy installation.

For planners

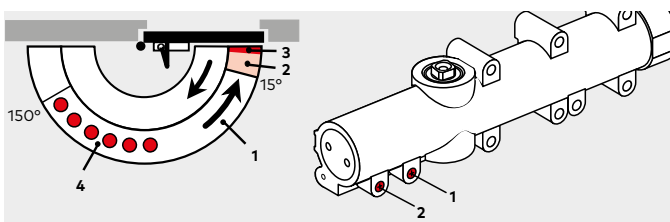
- Inexpensive and reliable.
- Compact, timeless design.

For the end user

- Constant closing sequence, virtually independent of temperature fluctuations.
- Optimum adjustment of the closing time by means of two regulating valves.
- Secure closing thanks to adjustable latching action.

Data and features		TS 71
Adjustable closing force (via rod hinge)	Size	EN 3/4
General doors	≤ 1,100 mm ¹⁾	●
Exterior doors, opening outwards		–
Fire and smoke doors		●
Same design for DIN-L (left-handed door) and DIN-R (right-handed door)		●
Bar	Standard	●
	Slide channel	–
Closing time continuously adjustable using two separate valves	180° – 15°	●
	15° – 0°	●
Continuously adjustable latching action (using rods)		●
Back check		–
Delayed closing		–
Hold open		○
Weight in kg		1.2
Dimensions in mm	Length	232
	Installation depth	45
	Height	68
Door closers tested in accordance with EN 1154		●
CE-identification for construction products		●
		● yes – no ○ Option

¹⁾ For parallel arm installation, the closing torque is approx. 20 Nm (for doors of up to 950 mm)



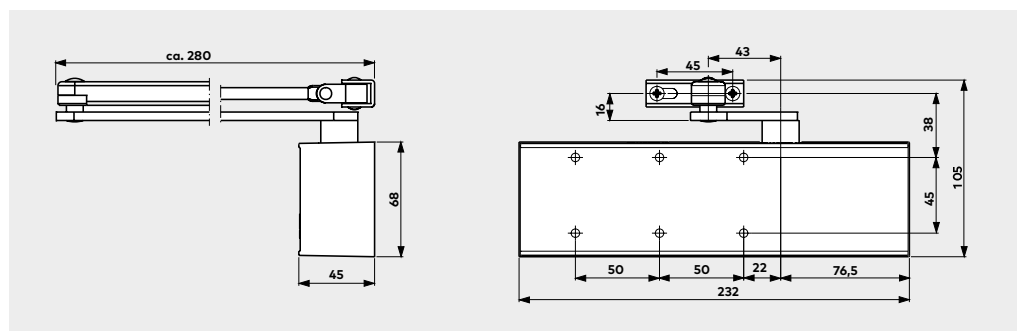
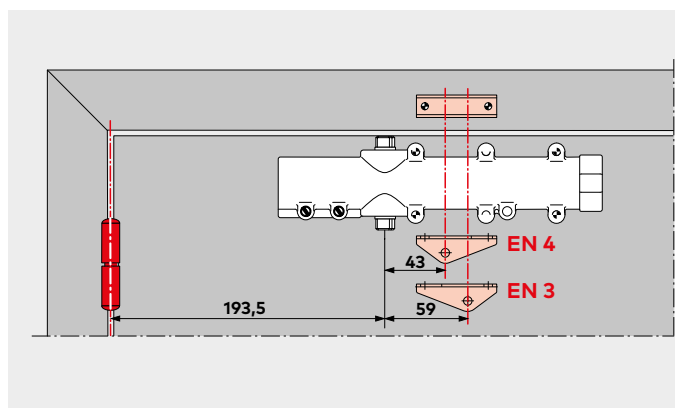
Standard and optional functions

- 1 Continuously adjustable closing time in the range from 180°–15°
- 2 Continuously adjustable closing time in the range from 15°– 0°
- 3 Latching action
- 4 Hold-open range for versions with locking arm (optional)

Closing force adjustment

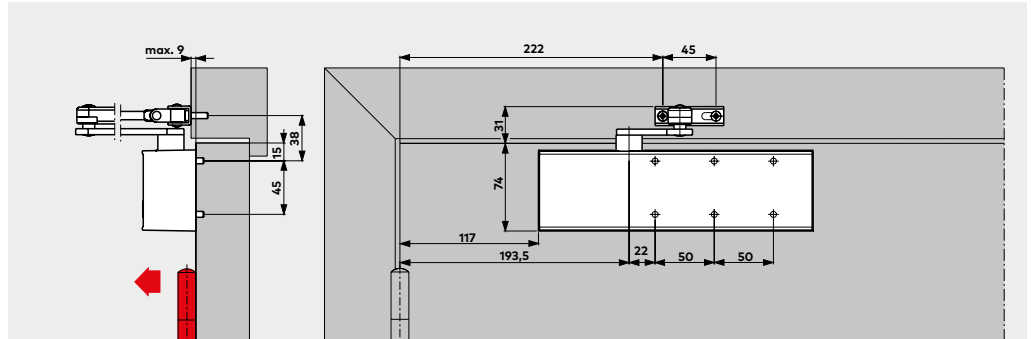
Door width	Adjustment to size
≤ 900	EN 3
≤ 1,100	EN 3

With the TS 71, the adjustment of the closer to the respective door width is carried out by simply turning the rod hinge.



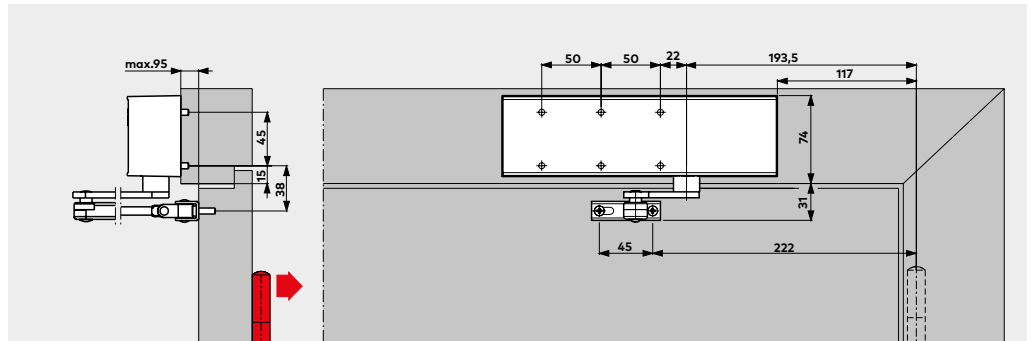
Door-leaf mounting on hinge side/pull side

Example: DIN-L door, DIN-R door;
mirror image



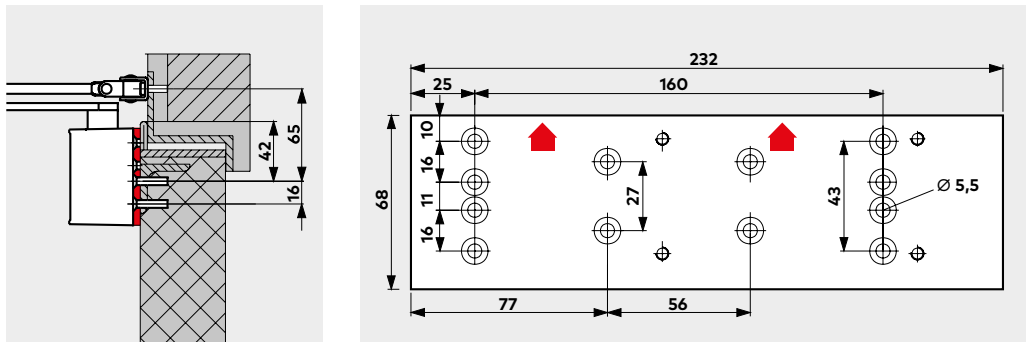
Lintel mounting on opposite hinge side/push side

Example: DIN-L door, DIN-R door;
mirror image



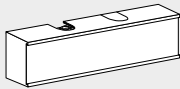
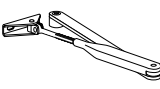
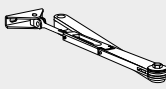
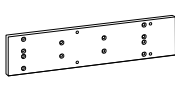
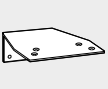
Accessories

Mounting plate for doors where no direct mounting is possible. Hole group according to Supplementary sheet 1 for DIN EN 1154.



Product contents and accessories

xx	Colour
01	Silver-coloured
03	Dark brown
10	White (RAL 9010)
11	White (RAL 9016)
09	Special colour

Door closer	Standard arm	Latching arm	Mounting plate	Fixing bracket for parallel arm installation
				
Size EN 3/4 222121xx	<input type="checkbox"/> 220023xx	<input type="checkbox"/> 220025xx	220021xx	280066xx
■ Separate closer	<input type="checkbox"/>	■ <input type="checkbox"/>	△	△
	<input type="checkbox"/>	<input type="checkbox"/> Separate rod		<input type="checkbox"/> Accessories

Specification text

Gear-driven door closer with adjustable closing force, size EN 3 and 4, with adjustable closing time in two independent ranges and adjustable latching action.

Can be used DIN-L and DIN-R.
Tested in accordance with EN 1154.

Version

- with standard arm
- with latching arm

Accessories

- Mounting plate
- Fixing bracket for parallel arm installation

Colour

- Silver-coloured
- Dark brown
- White (cf. RAL 9010)
- White (cf. RAL 9016)
- Special colour _____ (cf. RAL _____)

Make dormakaba TS 71

Our Sustainability Commitment

We are committed to foster a sustainable development along our entire value chain in line with our economic, environmental and social responsibilities toward current and future generations. Sustainability at product level is an important, future-oriented approach in the field of construction. In order to give quantified disclosures of a product's environmental impact through its entire life cycle, dormakaba provides Environmental Product Declarations (EPD), based on holistic life cycle assessments.

www.dormakaba.com/sustainability



Our offering

Access Automation Solutions

Entrance Automation
Entrance Security



Access Control Solutions

Electronic Access & Data
Escape and Rescue Systems
Lodging Systems



Access Hardware Solutions

Door Closers
Architectural Hardware
Mechanical Key Systems



Services

Technical Support
Installation and commissioning
Maintenance and Repair



WN 05181151532, EN, 10/2023
Subject to change without notice



dormakaba.com

dormakaba
International Holding AG
Hofwissenstrasse 24
CH-8153 Rümlang
T +41 44 818 90 11
info@dormakaba.com
dormakaba.com